

# Fade collection

PRODUCT SHEET



**proctoria**

# Fade collection

by NUMEN / FOR USE

**Fade** is a sofa bed system featuring a characteristic, continuous diagonal bevel of edges, applied on all of the elements of the system. This formal fade-out of volumes, varying in depth or height, results in a soft transition of elements, uniting the cuboids of the seat, backrest and armrests.







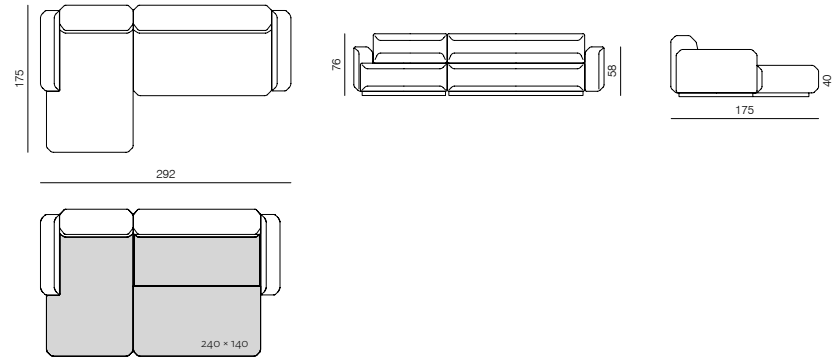


SPECIFICATIONS AND TECHNICAL DRAWING

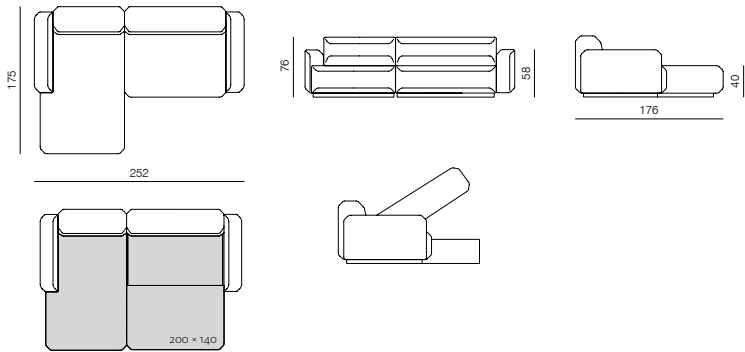
STRUCTURE	solid wood, plywood
SUSPENSION	wave springs, elastic webbing
SEAT & BACKREST	HR foam, polyester wadding
UPHOLSTERY	fabric (removable)
MATTRESS TYPE	HR foam

[product information website](#)

**2.5SEATER + EXTENDED (L/R)**  
dimensions 292 x 175 x 76 cm



**2.5SEATER + EXTENDED (L/R)**  
dimensions 252 x 175 x 76 cm



**3SEATER SOFA**  
dimensions 246 x 109 x 76 cm

